

## BAC-MY Series ISO 6431



### Code Information / BAC-MY $\phi$ \* Stroke

BAC	BLUETECH Model
MY	M: Magnetic Y:Cushioning
$\phi$ - Bore Sizes (mm)	32, 40, 50, 63, 80, 100, 125

### Material Specifications

Silindir Borusu Barrel	Anodize Alüminyum Anodised Aluminum
Piston Mili / Piston Rod	Krom Kaplı Çelik C45 Chromium Coated Steel
Kapaklar / Covers	Alüminyum Aluminum
Piston / Piston	Alüminyum Aluminum
Keçeler / Seals	Poliüretan+NBR Polyurethane+NBR
Sıcaklık (°C) / Temperature	-20 ~ +80

Teknik Bilgi / Technical Data

Cylinder $\phi$ mm	A	B	C	E	G	J	D1	D2	D3	D4	D5	D6	D7	D8	D9	D10	D11	D12	D13	F1
32	112	94	30	18	27.5	22	M10x1.25	12	30	32.5	47	7	7	10	5.5	19	10	17	10	32
40	125	105	34	20	32	24	M12x1.25	16	35	38	53	9	10	12	5.5	22	12	19	12	36
50	133	106	42	27	31	32	M16x1.5	20	40	46.5	65	9	10	12	6.5	27	16	22	16	45
63	150	121	40	29	33	32	M16x1.5	20	45	56.5	75	9	10	16	6.5	27	16	22	16	50
80	161	128	53	33	33	40	M20x1.5	25	45	72	95	12	12	16	9	34	20	30	20	63
100	174	138	55	36	37	40	M20x1.5	25	55	89	115	14	14	20	9	34	20	30	20	75
125	205	160	74	45	46	54	M27x2	32	60	110	140	16	16	25	11	50	30	41	25	90

Cylinder $\phi$ mm	F2	F3	F4	F5	F6	F7	F8	F9	F10	F11	F12	F13	F14	F15	F16	F17	F18	F19	F20	F21	F22
32	45	64	80	45.5	24	30	26	45	22	18	31	27.5	38	51	10	20	12	40	32	20	43
40	54	72	90	54.5	28	37	28	52	25	22	35	30.5	41	54	12	24	14	48	38	24	50
50	65	90	110	65	31	41	32	60	27	30	45	40.5	50	65	16	32	19	64	51	32	64
63	76	100	120	76	32	44	40	70	32	35	50	44.5	52	67	16	32	19	64	51	32	64
80	94	126	150	94	41	56	50	90	36	40	60	57	66	86	20	40	25	80	65	40	77
100	112	150	175	112	41	58	60	110	41	50	70	65	76	96	20	40	25	80	65	40	77
125	135	180	210	131	45	67	70	130	50	60	90	85	94	124	25	50	32	100	82	50	110

Cylinder $\phi$ mm	F23	F24	F25	H1	H2	H3	H4	L1	L2	L3	L4	P1	R1	R2	R3	M	SW	*	Z
32	10.5	14	20	10	5	9	8	16	130	142	142	32	10	10	14	M6	10	G1/8"	13
40	12	16	22	10	5	9	10	20	145	161	160	36	12	11	16	M6	13	G1/4"	13
50	15	21	28	12	6	11	12	25	155	170	170	45	13	13	21	M8	17	G1/4"	15
63	15	21	28	12	6	11	12	25	170	185	190	50	16	15	21	M8	17	G3/8"	15
80	18	25	33	16	6	14	14	30	190	210	210	63	16	15	25	M10	22	G3/8"	15
100	18	25	33	16	6	14	15	35	205	220	230	71	20	19	25	M10	22	G1/2"	15
125	25	37	51	20	8	15	20	45	245	250	275	90	25	22.5	35	M12	27	G1/2"	15

Özel uygulamalar için lütfen firmamızla irtibat kurunuz.

Please, contact with our company for your special application.

Küresel Bağlantı  
Rod End  
Spherical Eyes

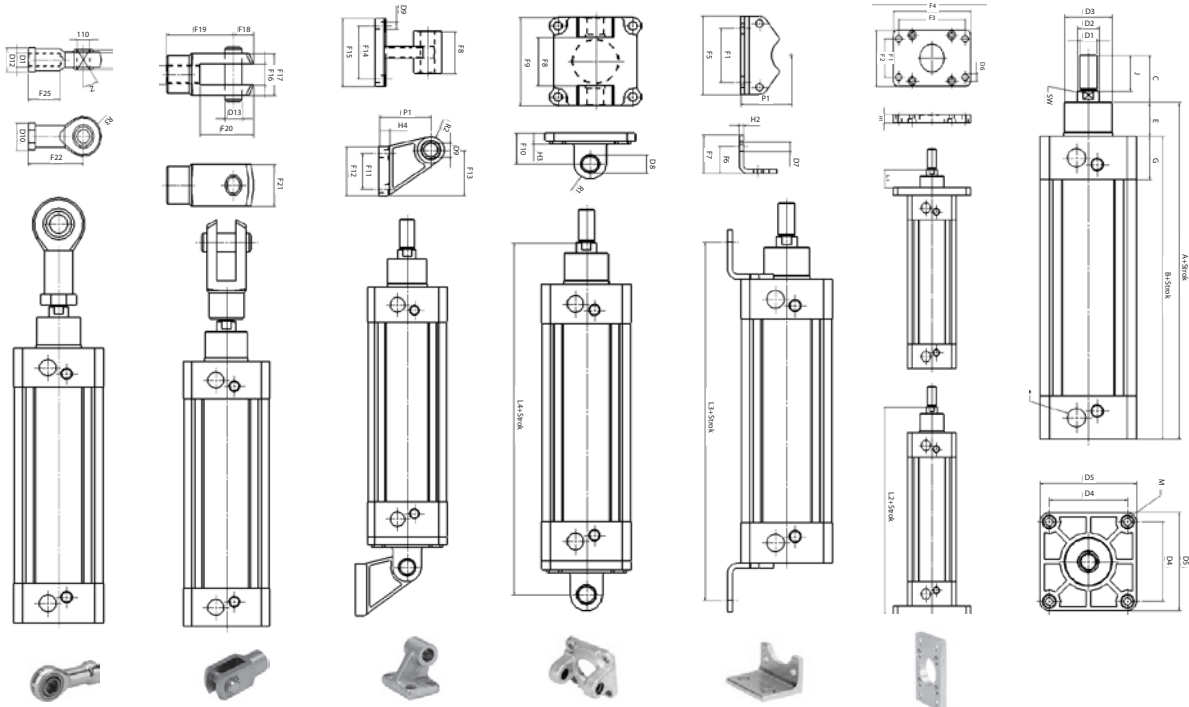
Çatal Bağlantı  
Rod Clevis

Yer Bağlantı  
Clevis Foot Mounting

Ekleme Bağlantı  
Swivel Flange

Ayak Bağlantı  
Foot Mounting

Ön ve Arka Flaş Bağ.  
Front and Rear Flange  
Mounting



## BVAC-MY Series ISO 6431



### Code Information / BVAC-MY $\emptyset$ \*

BAC	BLUETECH Model
MY	M: Magnetic Y:Cushioning
$\emptyset$ - Bore Sizes (mm)	32, 40, 50, 63, 80, 100, 125

### Material Specifications

Silindir Borusu Barrel	Anodize Alüminyum Anodised Aluminum
Piston Mili / Piston Rod	Krom Kaplı Çelik C45 Chromium Coated Steel
Kapaklar / Covers	Alüminyum Aluminum
Piston / Piston	Alüminyum Aluminum
Keçeler / Seals	Poliüretan+NBR Polyurethane+NBR
Sıcaklık (°C) / Temperature	-20 ~ +80

Teknik Bilgi / Technical Data

Cylinder $\emptyset$ mm	A	A1	B	C	E	G	J	D1	D2	D3	D4	D5	D6	D7	D8	D9	D10	D11	D12	D13
32	116	4	94	30	18	25.1	22	M10x1.25	12	30	32.5	45	7	7	10	5.5	19	10	17	10
40	130.5	4	105	32.5	21.5	29.6	24	M12x1.25	16	35	38	54	9	10	12	5.5	22	12	19	12
50	138	4	106	41	28	29.6	32	M16x1.5	20	40	46.5	64	9	10	12	6.5	27	16	22	16
63	153.5	4	121	40.5	28.5	35.6	32	M16x1.5	20	45	56.5	75	9	10	16	6.5	27	16	22	16
80	166.7	4	128	51.3	34.7	35.9	40	M20x1.5	25	45	72	93	12	12	16	9	34	20	30	20
100	180.2	4	138	52.8	38.2	38.8	40	M20x1.5	25	55	89	110	14	14	20	9	34	20	30	20
125	212	6	160	73	46	44.7	54	M27x2	32	60	110	134	16	16	25	11	50	30	41	25

Cylinder $\emptyset$ mm	F1	F2	F3	F4	F5	F6	F7	F8	F9	F10	F11	F12	F13	F14	F15	F16	F17	F18	F19	F20	F21	F22
32	32	45	64	80	45.5	24	30	26	45	22	18	31	27.5	38	51	10	20	12	40	32	20	43
40	36	54	72	90	54.5	28	37	28	52	25	22	35	30.5	41	54	12	24	14	48	38	24	50
50	45	65	90	110	65	31	41	32	60	27	30	45	40.5	50	65	16	32	19	64	51	32	64
63	50	76	100	120	76	32	44	40	70	32	35	50	44.5	52	67	16	32	19	64	51	32	64
80	63	94	126	150	94	41	56	50	90	36	40	60	57	66	86	20	40	25	80	65	40	77
100	75	112	150	175	112	41	58	60	110	41	50	70	65	76	96	20	40	25	80	65	40	77
125	90	134	180	210	131	45	67	70	130	50	60	90	85	94	124	25	50	32	100	82	50	110

Cylinder $\emptyset$ mm	F23	F24	F25	H1	H2	H3	H4	L1	L2	L3	L4	P1	R1	R2	R3	M	SW	*	Z
32	10.5	14	20	10	5	9	8	16	130	142	142	32	10	10	14	M6	10	G1/8"	13
40	12	16	22	10	5	9	10	20	145	161	160	36	12	11	16	M6	13	G1/4"	13
50	15	21	28	12	6	11	12	25	155	170	170	45	13	13	21	M8	17	G1/4"	15
63	15	21	28	12	6	11	12	25	170	185	190	50	16	15	21	M8	17	G3/8"	15
80	18	25	33	16	6	14	14	30	190	210	210	63	16	15	25	M10	22	G3/8"	15
100	18	25	33	16	6	14	15	35	205	220	230	71	20	19	25	M10	22	G1/2"	15
125	25	37	51	20	8	15	20	45	245	250	275	90	25	22.5	35	M12	27	G1/2"	15

Özel uygulamalar için lütfen firmamızla irtibat kurunuz.

Please, contact with our company for your special application.

Küresel Bağlantı  
Rod End  
Spherical Eyes

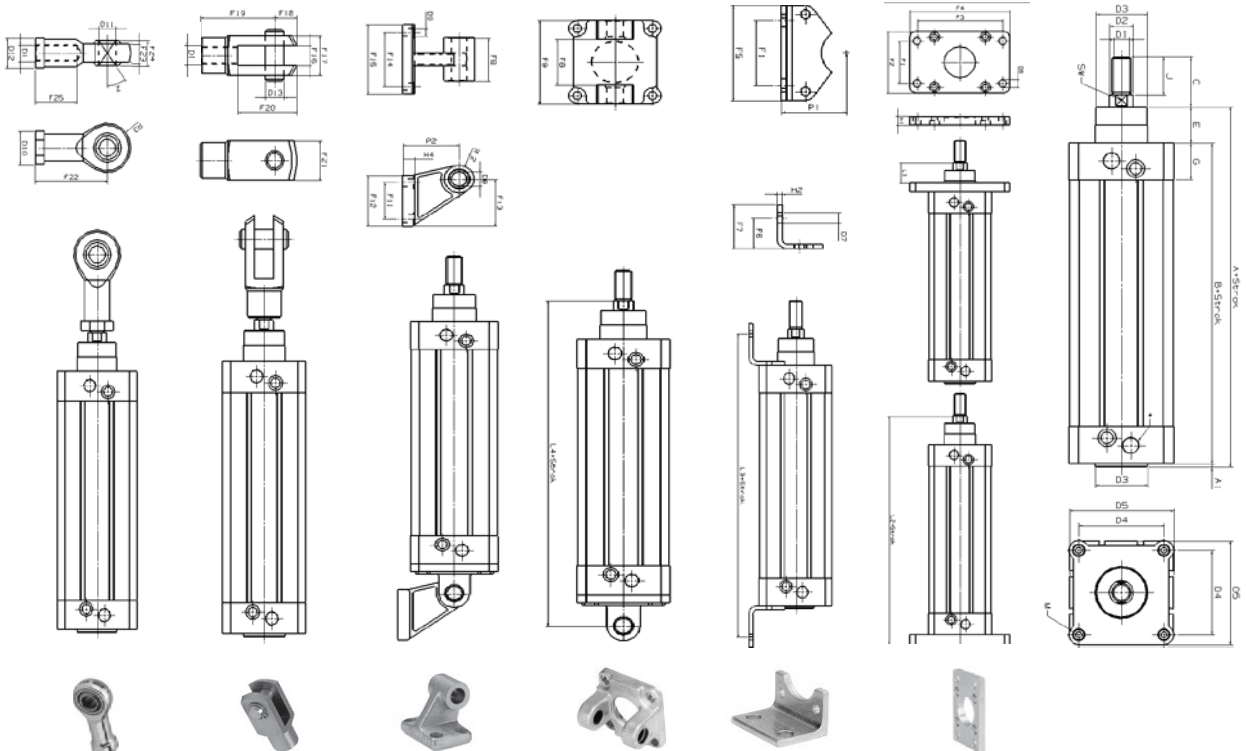
Çatal Bağlantı  
Rod Clevis

Yer Bağlantı  
Clevis Foot Mounting

Ekleme Bağlantı  
Swivel Flange

Ayak Bağlantı  
Foot Mounting

Ön ve Arka Flanş Bağ.  
Front and Rear Flange  
Mounting



## BAC-MY Series ISO 6431



### Code Information / BAC-MY $\varnothing$ \*

BAC-MY	BLUETECH Model
MY	M: Magnetic Y:Cushioning
$\varnothing$ - Bore Sizes (mm)	160, 200, 250, 320

### Material Specifications

Silindir Borusu Barrel	Anodize Alüminyum Anodised Aluminum
Piston Mili / Piston Rod	Krom Kaplı Çelik C45 Chromium Coated Steel
Kapaklar / Covers	Alüminyum Aluminum
Piston / Piston	Alüminyum Aluminum
Keçeler / Seals	Poliüretan+NBR Polyurethane+NBR
Sıcaklık (°C) / Temperature	-20 ~ +80

Teknik Bilgi / Technical Data

Cylinder ø mm	A	B	C	E	G	J	D1	D2	D3	D4	D5	D6	D7	D8	D9	D10	F1	F2	F3	F4	F5
160	238	180	94	58	50	72	M36x2	40	65	140	180	18	18	30	14	35	115	186	230	280	186
200	247	180	100	67	50	72	M36x2	40	75	175	220	22	22	30	16	35	135	220	270	320	220
250	280	200	109	80	55	84	M42x2	50	90	220	280	26	26	40	20	40	165	270	330	390	270
320	310	220	126	90	55	96	M48x2	63	110	270	350	33	33	45	26	50	200	340	400	470	340

Cylinder ø mm	F6	F7	F8	F9	F10	F11	F12	F13	F14	F15	F16	F17	F18	F19	F20	H1	H2	H3	H4	L1	L2	L3
160	60	87	90	170	55	88	126	116	118	156	35	70	44	144	116	20	9	20	25	60	280	300
200	70	95	90	170	60	90	130	125	122	162	35	70	44	144	116	25	12	25	30	70	300	320
250	75	105	110	200	70	110	160	153	150	200	40	80	52	168	148	25	20	25	35	80	330	350
320	85	125	120	220	80	122	186	182	170	234	50	90	58	192	169	30	23	30	40	90	370	390

Cylinder ø mm	L4	P1	P2	R1	R2	M	SW	*														
160	315	115	70	32	31.5	M16	36	G3/4"														
200	335	135	80	35	31.5	M16	36	G3/4"														
250	375	165	100	45	40	M20	41	G1"														
320	420	200	120	54	45	M24	55	G1"														

Özel uygulamalar için lütfen  
firmamızla irtibat kurunuz.

Please, contact with our company  
for your special application.

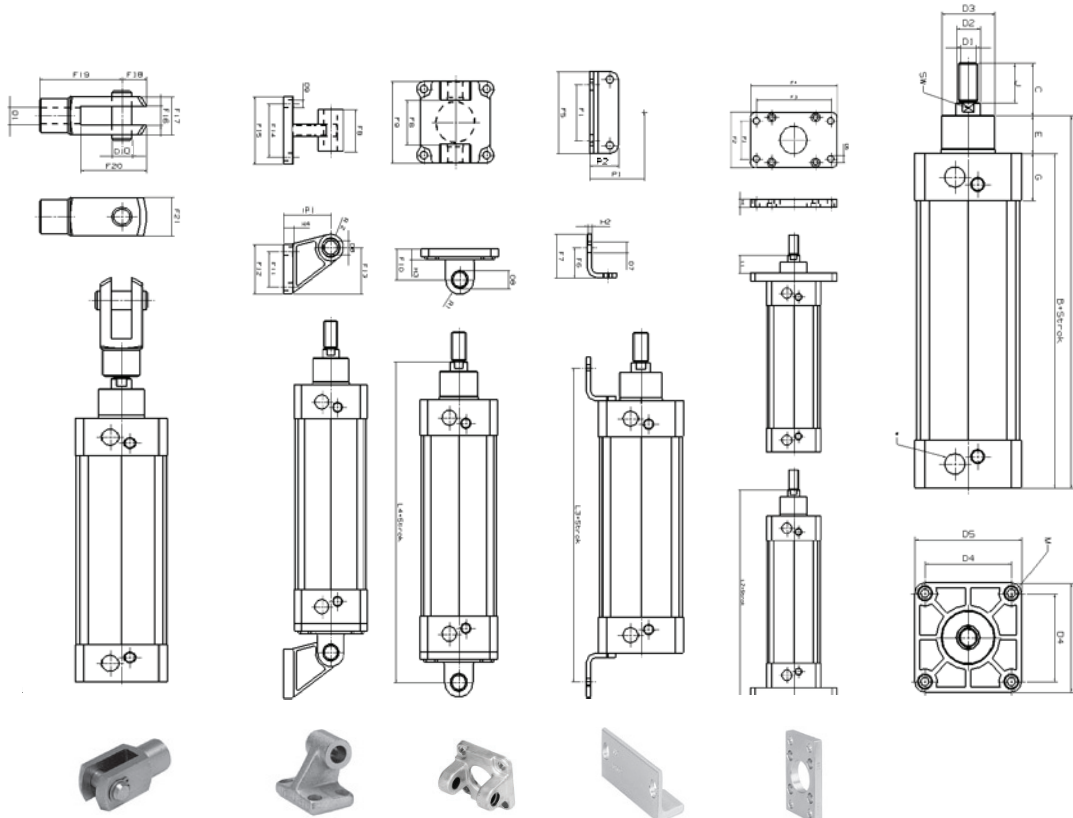
Çatal Bağlantı  
Rod Clevis

Yer Bağlantı  
Clevis Foot  
Mounting

Eklem Bağlantı  
Swivel Flange

Ayak Bağlantı  
Foot Mounting

Ön ve Arka Flaş  
Bağ. Front and Rear  
Flange Mounting



**BAC-MY**  
Series ISO 6431



### Code Information / BMAC-MY $\emptyset$ \*

BMAC - MY	BLUETECH Model
$\emptyset$ - Bore Sizes (mm)	8, 10, 12, 16, 20, 25

### Material Specifications

Silindir Borusu Barrel	Anodize Alüminyum Anodised Aluminum
Piston Mili / Piston Rod	Krom Kaplı Çelik C45 Chromium Coated Steel
Kapaklar / Covers	Alüminyum Aluminum
Piston / Piston	Alüminyum Aluminum
Keçeler / Seals	Poliüretan+NBR Polyurethane+NBR
Sıcaklık (°C) / Temperature	-20 ~ +80

Teknik Bilgi / Technical Data

Cylinder ø mm	A	B	C	E	G	J	K	L	D1	D2	D3	D4	D5	D6	D7	D8	D9	D10	D11	D12
8	74	64	12	22	34	16	12	10	M4	4	M12x1.25	15	8	19	4.5	4	4	11	5	9
10	74	64	12	22	34	16	12	10	M4	4	M12x1.25	15	8	19	4.5	4	4	11	5	9
12	89	75	16	28	38	22	17	15	M6	6	M16x1.5	20	12	24	5.5	6	6	13	6	11
16	95	82	16	28	44	22	17	15	M6	6	M16x1.5	20	12	24	5.5	6	6	13	6	11
20	112	95	20	32	52	24	20	18	M8	8	M22x1.5	27	16	32	6.6	8	8	16	8	14
25	119.5	104	22	36	53.5	28	22	20	M10x1.25	10	M22x1.5	27	16	32	6.6	8	10	19	10	17

Cylinder ø mm	F1	F2	F3	F4	F5	F6	F7	F8	F9	F10	F11	F12	F13	F14	F15	F16	F17	F18	F19	F20	F21	F22
8	30	40	25	8.1	12.5	20	13.8	25	35	5	11	4	8	5	16	8	13	8	27	6	8	10
10	30	40	25	8.1	12.5	20	13.8	25	35	5	11	4	8	5	16	8	13	8	27	6	8	10
12	40	53	30	12.1	15	25	13	32	42	6	14	6	12	7	24	10	19	12	30	6.8	9	12
16	40	53	30	12.1	15	25	13	32	42	6	14	6	12	7	24	10	19	12	30	6.8	9	12
20	50	66	40	16.1	20	32	16	40	54	8	17	8	16	10	32	14	26	16	36	9	12	16
25	50	66	40	16.1	20	32	16	40	54	8	17	10	20	12	40	18	32	20	43	10.5	14	20

Cylinder ø mm	G1	G2	G3	H1	H2	L1	L2	L3	L4	L5	O	P1	P2	P3	R1	R2	R3	T	SW	Z
8	M5	4	9.3	3	3	13	65	24	68	73	6	21.5	24+0.3/-0.2	16	10	5	9	6	5	13
10	M5	4	11.3	3	3	13	65	24	68	73	6	21.5	24+0.3/-0.2	16	10	5	9	6	5	13
12	M5	6	13.3	4	4	18	76	32	78	86	8	24	27+0.3/-0.2	20	13	7	10	9	5	13
16	M5	6	17.3	4	4	18	82	32	78	86	8	24	27+0.3/-0.2	20	13	7	10	9	5	13
20	G1/8"	8	21.3	5	5	19	97	36	102	109	11	26	30+0.3/-0.2	25	20	10	12	12	7	13
25	G1/8"	8	26.5	5	5	23	102.5	36	102	109	11	26	30+0.3/-0.2	25	20	10	14	12	9	13

Özel uygulamalar için lütfen  
firmamızla irtibat kurunuz.

Please, contact with our company  
for your special application.

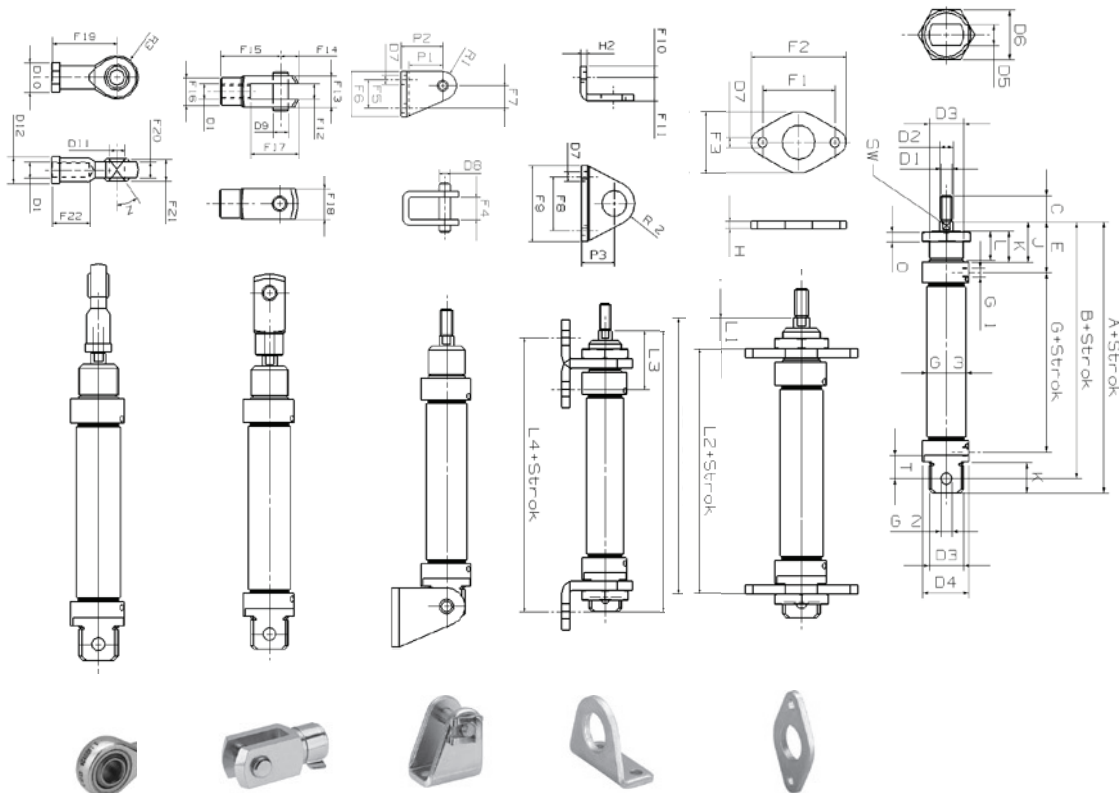
Küresel Bağlantı  
Rod End Spherical  
Eyes

Çatal Bağlantı  
Rod Clevis

Yer Bağlantı  
Clevis Foot  
Mounting

Ayak Bağlantı  
Foot Mounting

Ön ve Arka Flanş  
Bağ. Front and Rear  
Flange Mounting





**BSSDC**  
Series Short Stroke  
Cylinder

## Code Information / BSSDC $\phi^*$

BSSDC	BLUETECH Model
MY	M: Magnetic Y: Cushioning
$\phi$ - Bore Sizes (mm)	12,16,20,25,32,40,50,63,80,100

## Ürün Özellikleri / Material Specifications

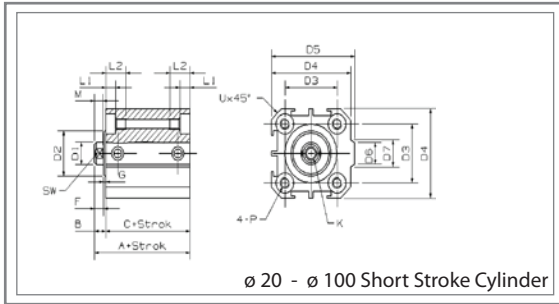
Silindir Borusu Barrel	Anodize Alüminyum Anodised Aluminum
Piston Mili / Piston Rod	Krom Kaplı Çelik C45 Chromium Coated Steel
Kapaklar / Covers	Alüminyum Aluminum
Piston / Piston	Alüminyum Aluminum
Keçeler / Seals	Poliüretan+NBR Polyurethane+NBR
Sıcaklık (°C) / Temperature	-20 ~ +80

Teknik Bilgi / Technical Data

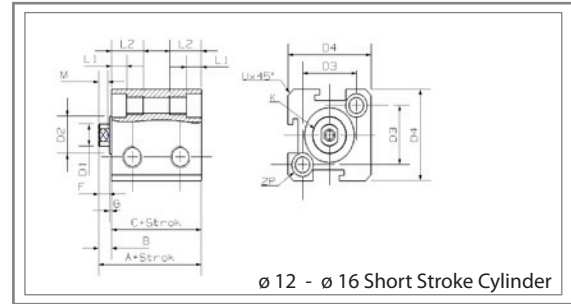
Cylinder $\phi$ mm	A	B	C	D1	D2	D3	D4	D5	D6	D7	E	F	G	K1	L1	L2	M	P	U	SW
12	22	5	17	6	10.2	16.2	25	*	*	*	6	4	1	M3x0.5	4.5	12	2.8	M5	1.6	5
16	24	5.5	18.5	6	11	19.8	29	*	*	*	6	4	1.5	M3x0.5	4.5	12	2.8	M5	1.6	5
20	25	5.5	19.5	8	15	24	34	36	10	11.3	8	4	1.5	M4x0.7	4.5	14	2.8	M5	2.1	6
25	27	6	21	10	17	28	40	42	10	12	10	4	2	M5x0.8	5.5	15	2.8	M6	3.1	8
32	31.5	7	24.5	12	22	34	44	50	15	18.3	12	4	3	M6x1	5.5	16	2.8	M6	2.15	10
40	33	7	26	12	28	40	52	58.5	16	21.3	16	4	3	M8x1.25	7.5	20	2.8	M8	2.25	14
50	37	9	28	15	38	48	62	71.5	20	30	20	5	4	M10x1.5	8.5	25	2.8	M8	4.15	17
63	41	9	32	15	40	60	75	84.5	20	28.7	20	5	4	M10x1.5	8.5	25	2.8	M8	3.15	17
80	52	11	41	20	45	74	94	104	26	36	25	6	5	M14x1.5	10.5	25	4	M12	3.65	22
100	63	12	51	20	55	90	114	124	26	35	32	7	5	M18x1.5	13	30	4	M14	3.65	27

Özel uygulamalar için lütfen firmamızla irtibat kurunuz.

Please, contact with our company for your special application.



$\phi$  20 -  $\phi$  100 Short Stroke Cylinder



$\phi$  12 -  $\phi$  16 Short Stroke Cylinder

## BSAC Series Short Stroke Cylinder



**BSAC**  
Series Short Stroke  
Cylinder

## Kod Bilgisi / Code Information / BSAC $\phi^*$

BSAC	BLUETECH Model
$\phi$ - Bore Sizes (mm)	20, 25, 32, 40, 50, 63, 80, 100

## Ürün Özellikleri / Material Specifications

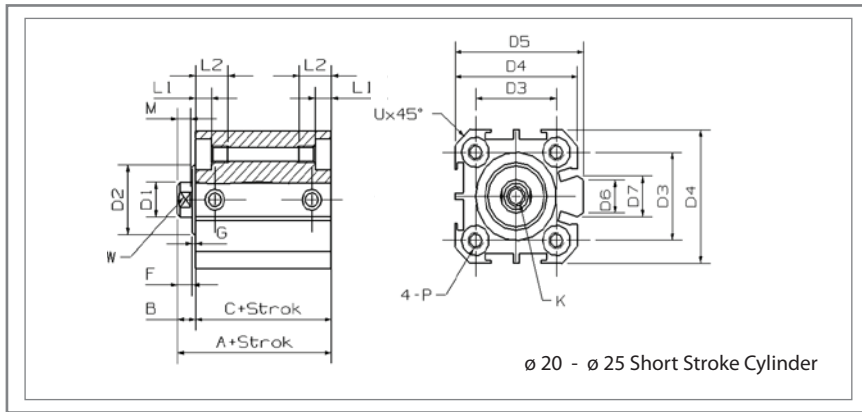
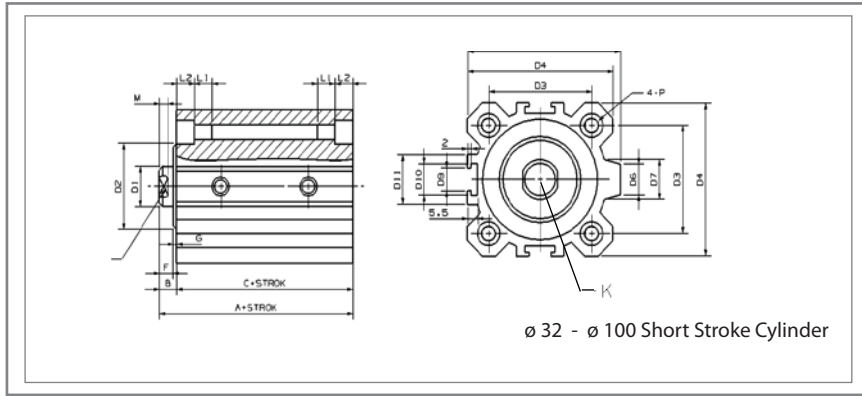
Silindir Borusu Barrel	Anodize Alüminyum Anodised Aluminum
Piston Mili / Piston Rod	Krom Kaplı Çelik C45 Chromium Coated Steel
Kapaklar / Covers	Alüminyum Aluminum
Piston / Piston	Alüminyum Aluminum
Keçeler / Seals	Poliüretan+NBR Polyurethane+NBR
Sıcaklık (°C) / Temperature	-20 ~ +80

Teknik Bilgi / Technical Data

Cylinder $\phi$ mm	A	B	C	D1	D2	D3	D4	D5	D6	D7	F	G	K1	L1	L2	M	P	SW
20	37	7	30	8	15	24	34	36	10	11	5	2	M4	5	20	2	M5	6
25	39	7	32	10	17	28	40	42	10	11.6	5	2	M5	5	20	2	M5	8
32	44.5	8.5	36	12	22	34	44	50	15	17.8	6	2.5	M6	6	22	3	M6	10
40	45.7	9.7	36	12	28	40	52	59	16.5	21.5	6	3.7	M6	6	22	3	M6	10
50	49.5	11.5	38	16	38	48	62	71	20	29.7	8	3.5	M8	7	23	3	M8	13
63	52	13	39	16	40	60	75	85	20	28.7	8	5	M8	7	23	3	M8	13
80				20							8		M10	9	25		M10	17
100				25							10		M12	9	25		M10	22

Özel uygulamalar için lütfen firmamızla irtibat kurunuz.

Please, contact with our company for your special application.



**BCC Series Compact Cylinder ISO 6431**



**Code Information / BSSDC ø \***

BCC	BLUETECH Model
MY	M: Magnetic Y: Cushioning
ø - Bore Sizes (mm)	20-25-32-40-50-63-80-100

**Ürün Özellikleri / Material Specifications**

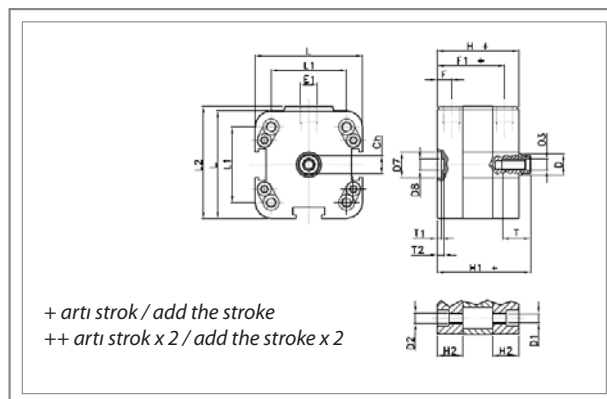
Silindir Borusu Barrel	Anodize Alüminyum Anodised Aluminum
Piston Mili / Piston Rod	Krom Kaplı Çelik C45 Chromium Coated Steel
Kapaklar / Covers	Alüminyum Aluminum
Piston / Piston	Alüminyum Aluminum
Keçeler / Seals	Poliüretan+NBR Polyurethane+NBR
Sıcaklık (°C) / Temperature	-20 ~ +80

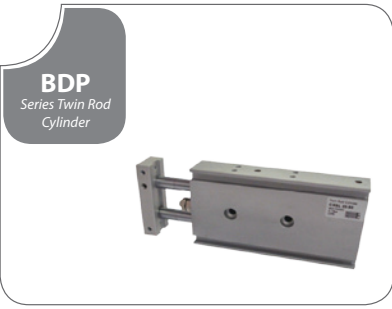
Teknik Bilgi / Technical Data

Cylinder ø mm	D ø	D1 ø	D2	D3	D7	D8	E1	F	F1	H	H1	H2	L	L1 ISO	CH	T	T1	T2
20	10	4,3	M5	M5	12	4	M5	8	30	38	42,5	12,5	36	22	8	10	2,5	4,5
25	10	4,3	M5	M5	12	4	M5	8	31,5	39,5	45	13,25	40	26	8	10	2,5	4,5
32	12	5	M6	M6	14	6	G1/8	8	36,5	44,5	50,5	14,5	50	32,5	10	12	2,5	4
40	12	5	M6	M6	14	6	G1/8	8	37,5	45,5	52	14,5	60	38	10	12	2,5	4
50	16	6,5	M8	M8	18	6	G1/8	8	37,5	45,5	53	14,5	68	46,5	13	12	2,5	4,5
63	16	8,5	M10	M8	18	8	G1/8	8	42	50	57,5	14,5	87	56,5	13	12	2,5	4,5
80	20	8,5	M10	M12	12	-	G1/8	8,75	45,25	54	64	17,5	94,5	72	17	20	2,6	-
100	25	100	M10	M12	12	-	G1/8	10,5	56,5	67,7	77	21	114,5	89	21	20	2,6	-

Özel uygulamalar için lütfen firmamızla irtibat kurunuz.

Please, contact with our company for your special application.





## Ürün Özellikleri / Material Specifications

Silindir Borusu Barrel	Anodize Alüminyum Anodised Aluminum
Piston Mili / Piston Rod	Krom Kaplı Çelik C45 Chromium Coated Steel
Kapaklar / Covers	Alüminyum Aluminum
Piston / Piston	Alüminyum Aluminum
Keçeler / Seals	Poliüretan+NBR Polyurethane+NBR
Sıcaklık (°C) / Temperature	-5°C +70°C

## Kod Bilgisi / Code Information / BDP-MY ø \* Stroke

BDP	BLUETECH Model
MY	M: Magnetic Y:Cushioning
ø- Bore Sizes (mm)	15-20-25-32

Cylinder ø mm	A	B	C	D	E	F	G	H	I	J	L	M	N	NN	P
15	58	20	56	18	9	2-M5X0,8	45	25	5	10	30	2 ø4,3 2-8 4,4 mm	2-M4X0,7 6 mm	ø8	48

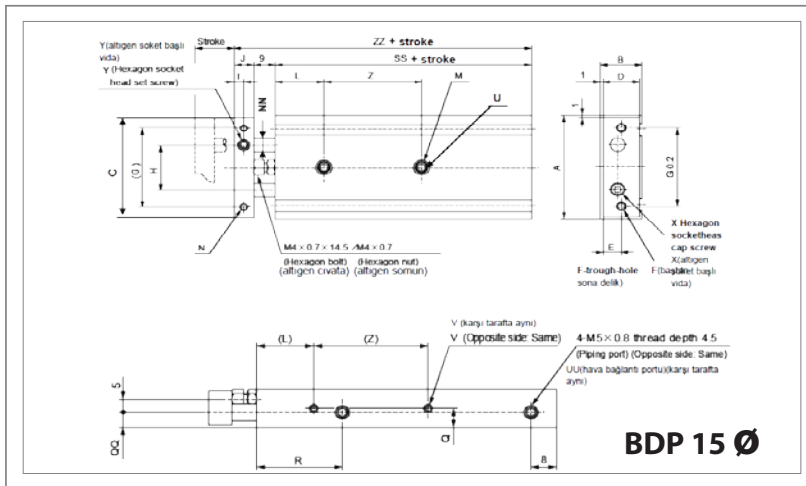
Cylinder ø mm	Q	QQ	R	U	V	X	Y	SS	ZZ	10,15,20,25	30,35,40,45,50	Z60,70,75	80	90,100
15	10	10	38,5	2-M5X0,8 8 mm	4-M4X0,77 5 mm	M5X0,8X10	M6X1,0X5	60	79	25	35	45	45	55

Cylinder ø mm	A	B	C	D	E	F	G	H	I	J	L	M	N	NN	P
20	64	25	62	23	11,5	2-M5X0,8	50	28	6	12	30	2ø5,5 2-ø 9,5 5,3 mm	2-M4X0,7 6 mm	ø10	53
25	80	30	78	28	14	2-M6X1,0	60	35	6	12	30	2-ø6,9 2-ø 11 6,3 mm	2-M5X8 7,5 mm	ø12	64
32	98	38	96	36	18	2-M6X1,0	5	44	8	14	30	2-ø6,9 2-ø 11 6,3 mm	2-M5X0,8 8 mm	ø16	76

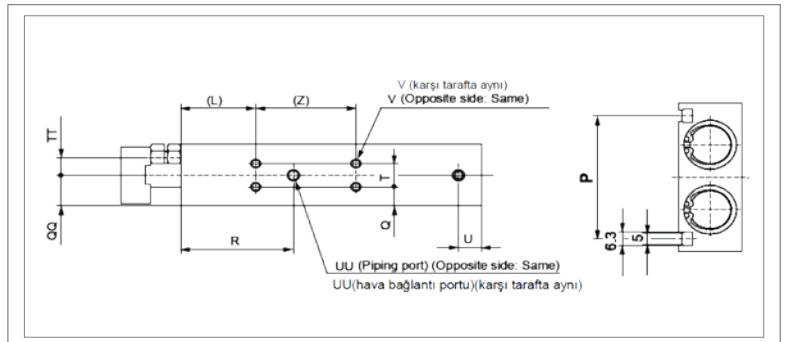
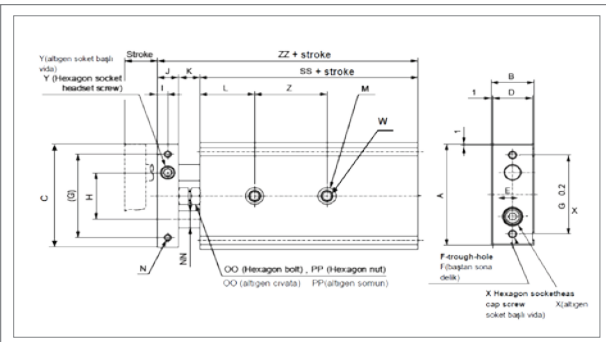
Cylinder ø mm	PP	Q	QQ	R	T	TT	U	UU	V	W
20	M6X1,0	7,75	12,5	45	9,5	6,5	8	4-M5X0,8 4,5 mm	8-M4X0,7 5,5 mm	2-M6X1,0 10 mm
25	M6X1,0	8,5	15	46	13	9	9	4-Rc 1/8 6,5 mm	8-M5X0,8 7,5 mm	2-M8X1,25 12 mm
32	M8X1,25	9	19	56	20	11,5	10	4-Rc 1/8 6,5 mm	8-M5X0,8 7,5 mm	2-M8X1,25 12 mm

Cylinder ø mm	X	Y	SS	ZZ	ST: 10,15,20,25	Z ST: 30,35,40,45,50	ST: 60,70,5,80,100
20	M6X1,0X12	M8X1,25X6	70	94	30	40	60
25	M6X1,0X14	M8X1,25X6	72	96	30	40	60
32	M8X1,25X16	M10X1,5X8	82	112	40	50	70

## BDP Series Twin Rod Cylinder



## BDP Ø 20-25-32



## Ürün Özellikleri / Material Specifications

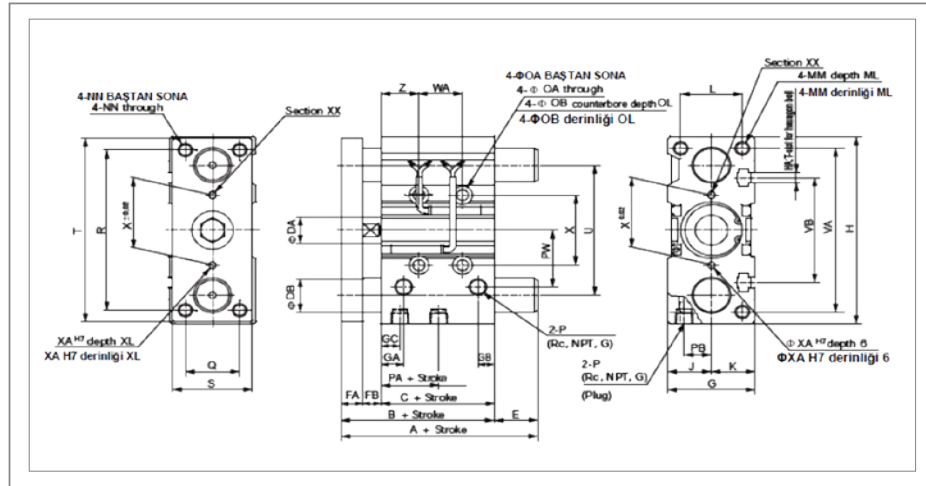
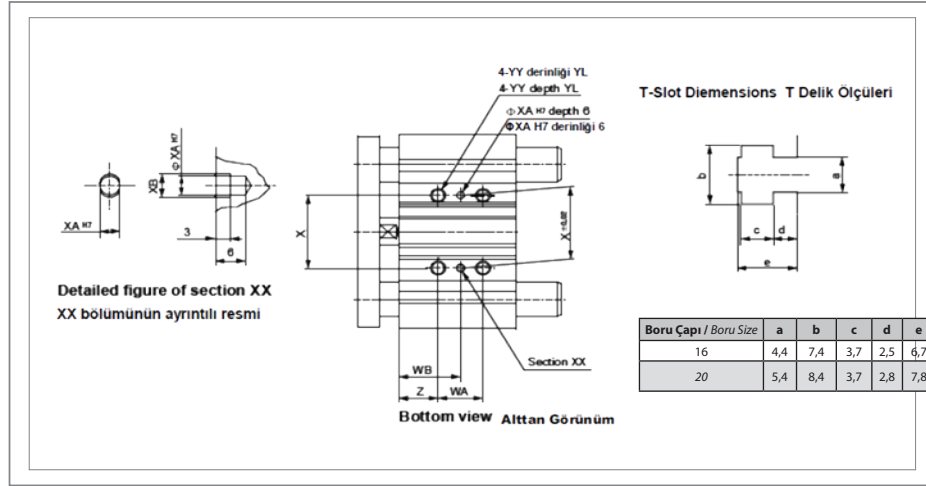
Piston Çapı Bore Size	16	20	25	32	40	50	63	80	100
Hareket Tipi Action	Çift Etkili Double Action								
Akışkan Fluid	Filtrelendirilmiş Basıncılı Hava Filtered Compressed Air								
Çalışma Basıncı (Bar) Operating Press.	2 ~ 10		1 ~ 10						
Çalışma Sıcaklığı Working Temperature	- 10 ~ 60°C								
Yataklama Tipi Bearing Type	Bilyalı Yataklama Ball Bushing Bearing								
Hava Giriş Çapları Port Size	M5 X 0,8	1/8			1/4		3/8		

## Kod Bilgisi / Code Information / BGC-MY ø \* Stroke

BGC	BLUETECH Model
MY	M: Magnetic Y:Cushioning
ø - Bore Sizes (mm)	12-16-20-25-32-40-50-63-80-100



## BGC-MY Ø 16-20-25



Cylinder ø mm	B	C	DA	FA	FB	G	GA	GB	H	HA	J	K	L	MM	ML	MN	OA	OB
16	46	33	8	8	5	30	11	8	64	M4	15	15	22	M5X0,8	12	M5X0,8	46	33
20	53	37	10	10	6	36	10,5	8,5	83	M5	18	18	24	M5X0,8	13	M5X0,8	53	37
25	53,5	37,5	12	10	6	42	11,5	9	93	M5	21	21	30	M6X1,0	15	M6X1,0	53,5	37,5

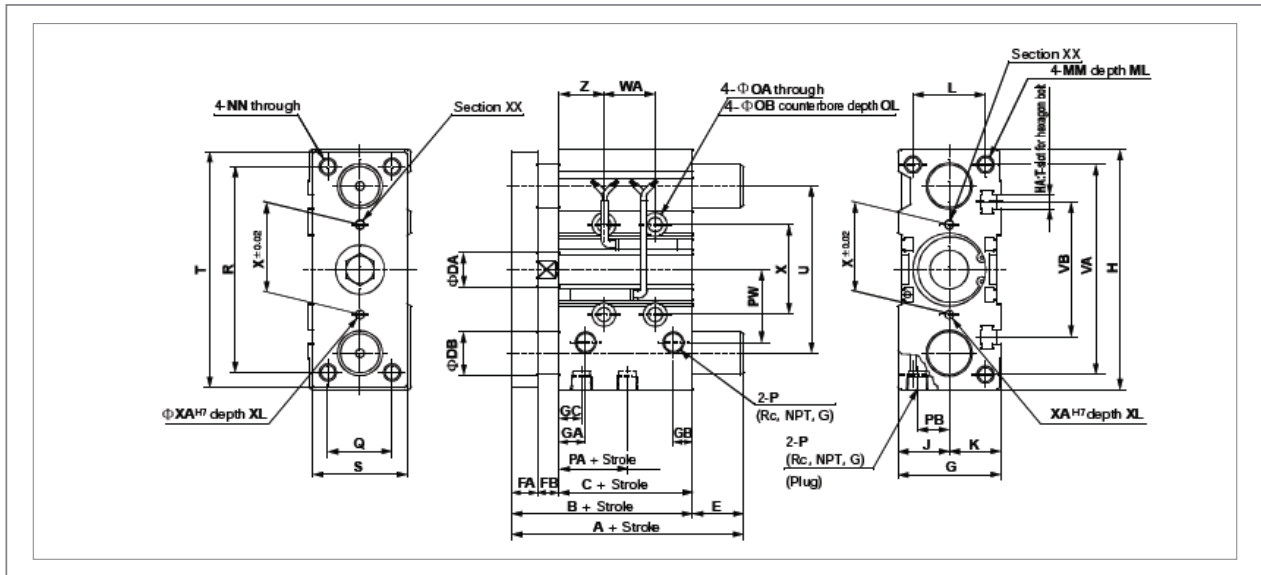
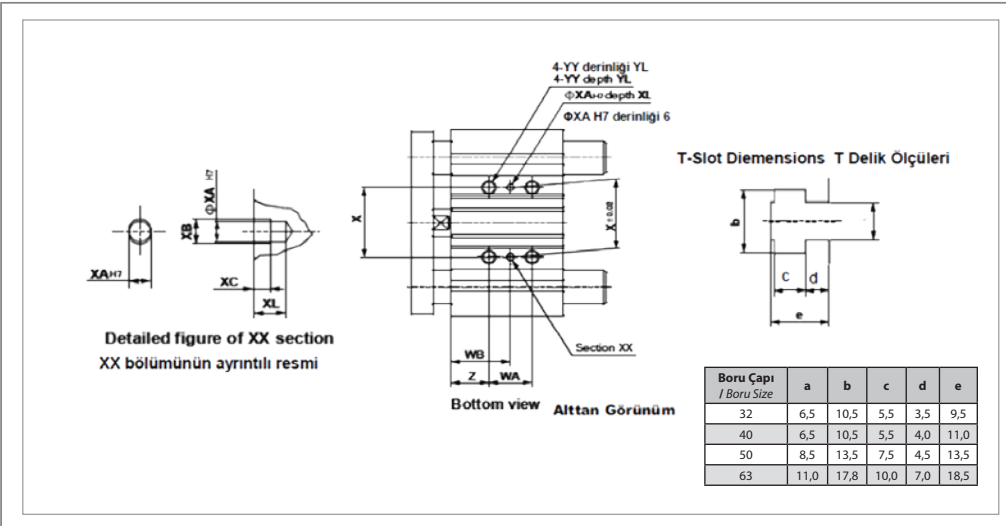
Cylinder ø mm	OL	P	PA	PB	PW	Q	R	S	T	U	VA	VB	X	XA	XB	YY	YL	Z
16	8	M5X0,8	15	10	19	16	54	25	62	46	56	38	24	3	3,5	M5X0,8	10	5
20	10	1/8	12,5	10,5	25	18	70	30	81	54	72	44	28	3	3,5	M6X1,0	12	17
25	12	1/8	12,5	13,5	28,5	26	78	38	91	64	82	50	34	4	4,5	M6X1,0	12	17

Cylinder ø mm	DB	WA	WB	A	E									
16	8	STROKE / Ø	16	20	25	16	20	25	16	20	25	16	20	25
20	10	Stroke < 30	24	24	24	17	29	29	49	63	69,5	3	10	16
25	13	30 ≤ Stroke < 100	44	44	44	27	39	39	65	80	85,5	19	27	32
		100 ≤ Stroke < 200	110	120	120	60	77	77	95	104	104,5	49	51	51
		200 ≤ Stroke < 300	200	200	200	105	117	117	-	122	122	-	69	68,5
		300 ≤ Stroke	-	300	300	-	167	167	-	-	-	-	-	-



## BGC-MY Ø32-40-50-63

BGC-MY Ø32-40-50-63



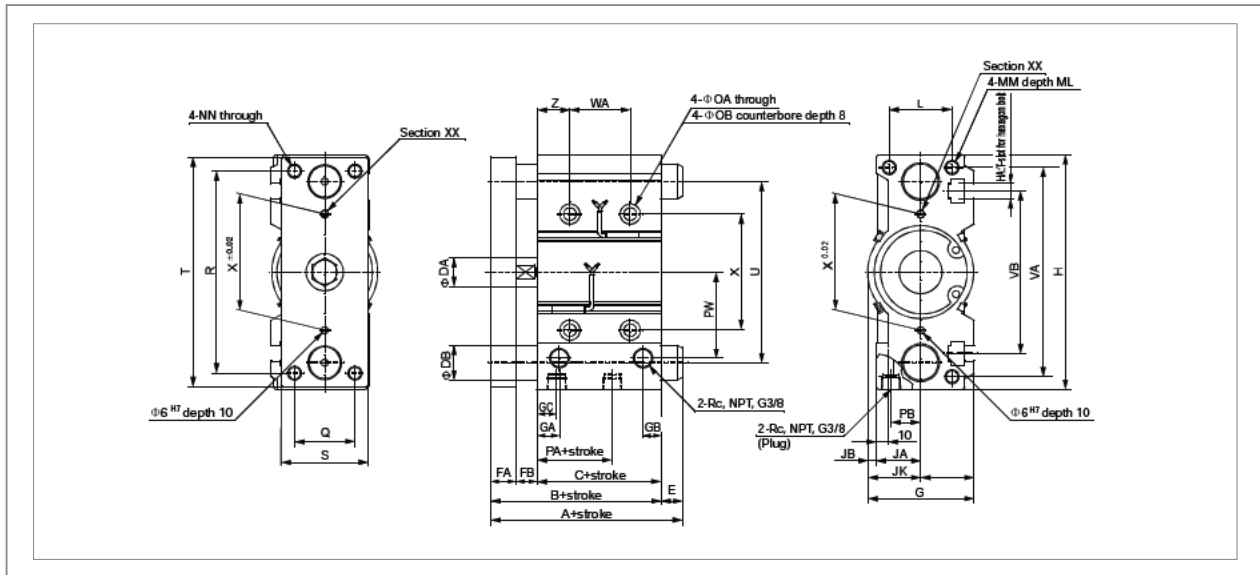
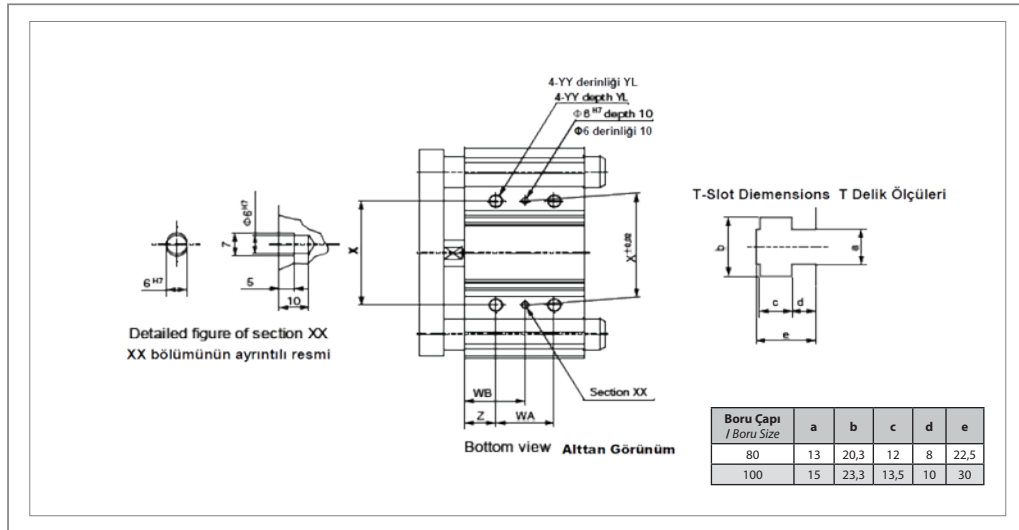
Teknik Bilgi / Technical Data

Cylinder ø mm	B	C	DA	FA	FB	G	GA	GB	H	HA	J	K	L	MM	ML	NN	OA	OB
32	59,5	37,5	16	12	10	48	12,5	9	112	M6	24	24	34	M8X1,25	20	M8X1,25	6,6	11
40	66	44	16	12	10	54	14	10	120	M6	27	27	40	M8X1,25	20	M8X1,25	6,6	11
50	72	44	20	16	12	64	14	11	148	M8	32	32	46	M10X1,5	22	M10X1,5	8,6	14
63	77	49	20	16	12	78	16,5	13,5	162	M10	39	39	58	M10X1,5	22	M10X1,5	8,6	14

Cylinder ø mm	OL	P	PA	PB	PW	Q	R	S	T	U	VA	VB	X	XA	XB	XC	XL	YY	YL
32	7,5	1/8	7	15	34	30	96	44	110	78	98	63	42	4	4,5	3	6	M8X1,25	16
40	7,5	1/8	13	18	38	30	104	44	118	86	106	72	50	4	4,5	3	6	M8X1,25	16
50	9	1/4	9	21,5	47	40	130	60	146	110	130	92	66	5	6	4	8	M10X1,25	20
63	9	1/4	14	28	55	50	130	70	158	124	142	110	80	5	6	4	8	M10X1,25	20

Cylinder ø mm	Z	DB	STROKE / Ø	WA				WB				A				E			
				32	40	50	63	32	40	50	63	32	40	50	63	32	40	50	63
32	21	16	Stroke < 25	24	24	24	28	33	34	36	38	81	81	93	93	21,5	15	21	16
40	22	16	25 ≤ Stroke < 100	48	48	48	52	45	46	48	50	98	98	114	114	38,5	32	42	37
50	24	20	100 ≤ Stroke < 200	124	124	124	128	83	84	86	88	118	118,0	134	134	58,5	52	62	57
63	24	20	200 ≤ Stroke	200	200	200	200	121	122	124	124	140	140	161	161	80,5	74	89	84

## BGC-MY Ø80-100



### Teknik Bilgi / Technical Data

Cylinder ø mm	B	C	DA	FA	FB	G	GA	GB	H	HA	J	K	L	MM	ML	NN	OA	OB
80	96,5	56,5	25	22	18	91,5	19	15,5	202	M12	45,5	38	7,5	46	54	M12x1,75	25	M12x1,75
100	116	66	30	25	25	111,5	23	19	240	M14	55,5	45	10,5	56	62	M14x2,0	31	M14x2

Cylinder ø mm	OL	P	PA	PB	PW	Q	R	S	T	U	VA	VB	X	YY	YL	Z
80	10,6	17,5	14,5	25,5	74	52	174	75	198	156	180	140	100	M12X1,75	24	28
100	12,5	20	17,5	32,5	89	64	210	90	90	88	210	166	124	M14X2,0	28	11

Cylinder ø mm	STROKE / Ø	WA		WB	
		80	100	80	100
32	Stroke < 25	28	11	42	35
40	25 ≤ Stroke < 100	52	72	54	47
50	100 ≤ Stroke < 200	128	148	92	85
63	200 ≤ Stroke < 300	200	220	128	121
	300 ≤ Stroke	300	320	178	171



Ürün Özellikleri / Material Specifications

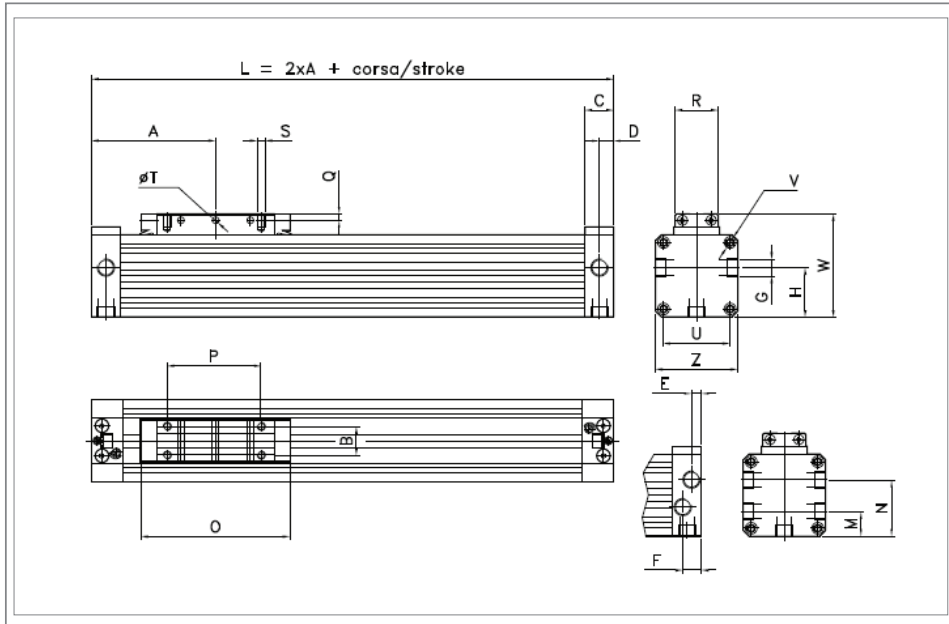
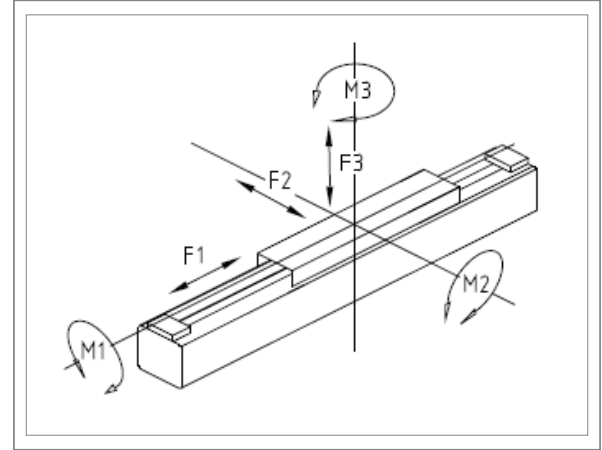
Silindir Borusu Barrel	Anodize Alüminyum Anodised Aluminum
Kapaklar / Covers	Krom Kaplı Çelik C45 Chromium Coated Steel
Piston / Piston	Alüminyum Aluminum
Keçeler / Seals	Poliüretan Polyurethane
Çalışma Basıncı (Bar) Operating Press.	2 ~ 8
Çalışma Sıcaklığı Working Temperature	- 20°C +80°C
Maksimum Hız Maximum Speed	2.0 m/s
Maksimum Strok Maximum Stroke	6000 mm

Kod Bilgisi / Code Information / BSSRC Ø \* Stroke

<b>BSSRC</b>	<b>BLUETECH Model</b>
ø - Bore Sizes (mm)	18-25-32-40-50-63

Teknik Bilgi / Technical Data

ø mm	GÜÇ Vmax≤0,35 m/s			V Tabanındaki Güç Forze N in base a V			Tork Nm Torques Nm		
	6 BAR			Fs 0,75 m/s	Fs 1 m/s	Fs 1,5 m/s	M1	M2	M3
	F1 (N)	F2 (N)	F3 (N)						
18	140	40	140	40	25	10	0,4	1,7	1,7
25	270	55	230	90	50	25	0,7	2,7	2,7
32	440	70	320	200	110	45	1	5	5
40	680	100	400	420	240	110	2	8,5	8,5
50	1060	140	480	750	440	190	3,5	13	13
63	1680	180	590	1500	850	380	5	18	18



Teknik Bilgi / Technical Data

ø mm	A	B	C	D	E	F	G	H	M	N	O	P	Q	R	S
18	57,5	10	16,5	6,5	-	-	M5 X 5,5	17,5	-	-	58	30	3	15,5	M3 X 6
25	67,5	13	20	8,5	7	13	G1/8" X 8	25,5	14	28	66	35	3,5	20	M4 X 7
32	77,5	16	20	8,5	7	13	G1/8" X 8	32	17,5	34,5	86	55	4,5	25	M5 X 9
40	95	22	24	11	9,5	14,5	G1/4" X 12	27,5	20	42	110	70	5	33	M6 X 10
50	105	29	24	11	9,5	14,5	G1/4" X 12	47,5	26	52	130	70	6,5	42	M8 X 1,25
63	125	40	30	14,5	11	18,5	G3/8" X 12,5	59,5	30	62	153	100	8	54	M8 X 1,5

ø mm	T	U	V	Z	W
18	3,5	23,5	M3X7	30	39
25	4,5	33	M4X9	42	53
32	5,5	41	M5X10	52	65
40	7	51	M6X12	63	79
50	7	63	M8X12	78	96
63	9	78	M8X12	93	113,5



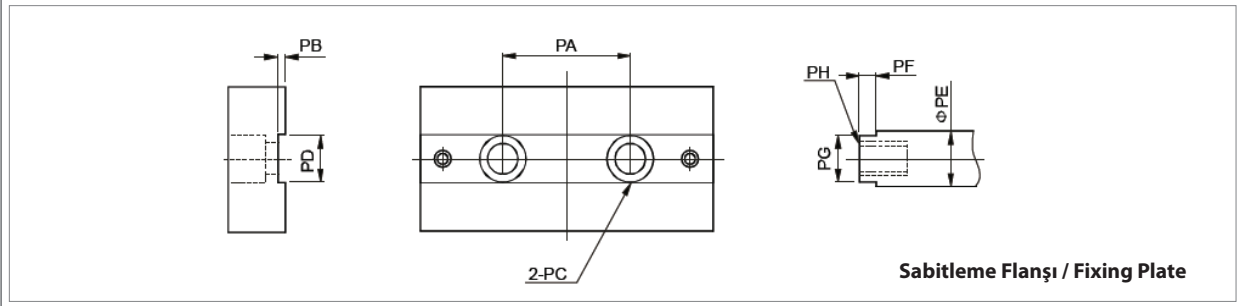
Kod Bilgisi / Code Information / BTN-MY Ø \* Stroke

BSSRC	BLUETECH Model
MY	M: Magnetic Y: Cushioning
Ø- Bore Sizes (mm)	16-20-25-32

Ürün Özellikleri / Material Specifications

Silindir Borusu Barrel	Anodize Alüminyum Anodised Aluminum
Piston Mili Piston Rod	Krom Kaplı Çelik C45 Chromium Coated Steel
Piston / Piston	Alüminyum Aluminum
Keçeler / Seals	Poliüretan + NBR Polyurethane + NBR
Çalışma Basıncı (Bar) Operating Press.	1 ~ 9
Çalışma Sıcaklığı Working Temperature	- 5°C +70°C

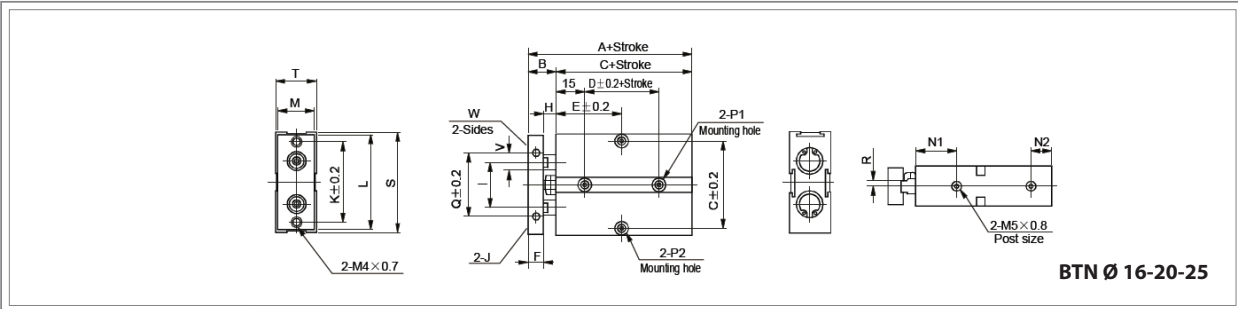
Sabitleme Flanşı / Fixing Plate



Teknik Bilgi / Technical Data

Cylinder Ø mm	PA	PB	PC	PD	PE	PF	PG	PH
16	24	1,0	Ø 7,8x4,6 dp Thru. hole : Ø 4,3	6,2	8	3	6,1	M4X0,7 9dp
20	28	1	Ø 11x6,8 dp Thru. hole : Ø 6,5	8,2	10	3	8,10	M6X1 10dp
25	34	1	Ø 11x6,8 dp Thru. hole : Ø 6,6	10,2	12	3	10,1	M6X1 10dp
32	42	2	Ø 17x12dp Thru. hole : Ø 10,5	14,2	16	3	14,1	M10X1,5 13dp

BTN  
Ø 16-20-25



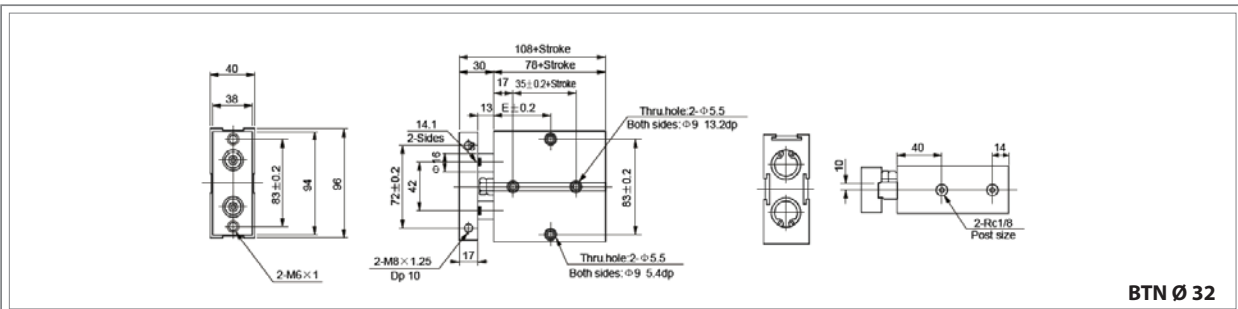
Teknik Bilgi / Technical Data

Cylinder Ø mm	A	B	C	D	F	G	H	I	J	K	L	M	N1	N2	Q	R	S
16	68	15	53	20	8	47	7	24	M4X0,7 dp5	47	53	20	22	11	34	3	54
20	78	20	58	20	10	55	10	28	M4X0,7 dp5	55	61	24	25	12	44	3,5	62
25	81	19	62	30	10	66	9	34	M4X0,7 dp5	66	72	29	27	12	56	6	73

Cylinder Ø mm	T	V	W	STROKE ≤	10	20	30	40	50	60	70	80	90	100	125	150
16	21	8	6,1	E	30	35	40	45	50	55	60	65	70	75	87,5	100
20	25	10	8,1	E	35	35	40	45	50	55	60	65	70	75	87,5	100
25	30	12	10,1	E	40	40	45	50	55	60	65	70	75	80	92,5	105

Cylinder Ø mm	P1	P2
16	Both sides: 7,5dp 7,22 mm Thru.hole: 4,5	Both sides: 8dp 4,5 mm Thru.hole: 4,5
20	Both sides: 7,5dp 7,22 mm Thru.hole: 4,6	Both sides: 8dp 4,5 mm Thru.hole: 4,6
25	Both sides: 7,5dp 7,22 mm Thru.hole: 4,7	Both sides: 8dp 4,5 mm Thru.hole: 4,7

BTN Ø 32



Teknik Bilgi / Technical Data

Stroke ≤	10	20	30	40	50	60	70	80	90	100	125	150
E	45	50	55	60	65	70	75	80	85	90	102,5	115